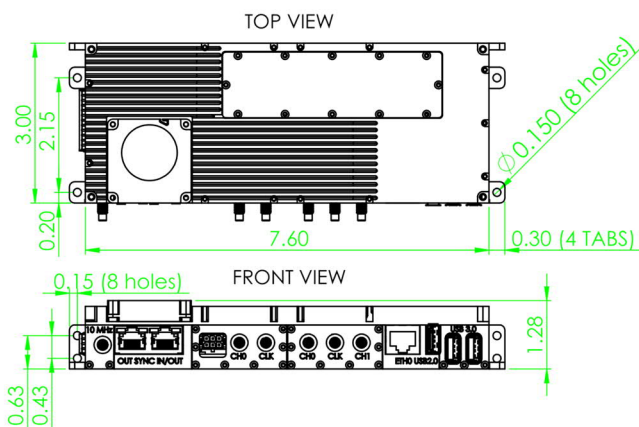


Features

- Reconfigurable at the hardware, firmware & software levels and on a pulse-to-pulse basis
- Object oriented architecture for simplified integration and operation
- Auto discovery plugin mezzanine cards provide reconfigurable waveform generation, digital receiver processing and digital I/O signal acquisition & generation
- Dual-core Arm Cortex-A9 processor (1000MHz) with application framework for run-time deployment of user applications within ARENA
- Seamless integration into network environments
- Provides sustained data rates > 20 GB/s
- Embedded M.2 SSD (up to 2TB) for internal data recording and/or reading
- Supports embedded applications
- Modular and scalable solution
- Ultra-low SWaP & conductive cooled
- Cost effective solution

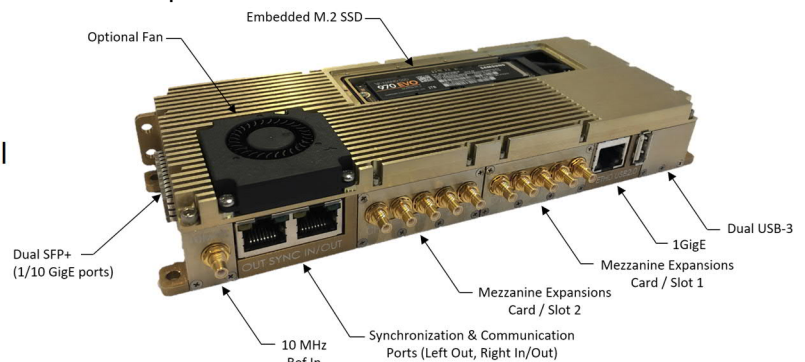
Power / Mechanical

- Power: 7-32 VDC (6-50W)
- Size: 3.0in x 7.6in x 1.25in
- Weight: 22 oz
- Conduction cooled operations from -10°C to 50°C and up to 75kft altitude
- Vertical or horizontal mounting



Interfaces

- 1 Gigabit Ethernet (GigE) Network Interface (RJ-45)
- Two USB-3 Host Interfaces or internal M.2 SSD
- USB-2 Host Interface
- Two 10 Gigabit SFP Network Interfaces
- 10 MHz 50Ω coaxial connector for reference clock
- ARENA Intra-module Synchronization Interfaces (one dedicated output and other configurable as in input or output)
- Optional Fan



Mezzanine Interfaces

PCIe/Power Mezzanine Slot

- Standard module 7-28VDC input
- PCIe Dual USB-3 Interface or internal M.2 Interface

Mezzanine Expansion Slot

- Supports up to two single slot mezzanine (plugin) cards or one dual slot mezzanine (plugin) card
- Plugin cards supported:
 - Waveform generation
 - Digital receiver processing
 - Digital and analog I/O
 - Rapid development of custom cards

